



# ES12-25WA

## Electric Stacker 1.2t

Straddle Design Improves the Stability of Stacking;  
Suitable for Handling and Stacking of Various Non-standardized Pallets.

EP EQUIPMENT CO.,LTD  
[www.ep-ep.com](http://www.ep-ep.com)



## FEATURE

### Performance

- The innovative AC system offers strong power, accurate control, excellent performance.
- High strength vertical gearbox, longer working life.
- Low-noise but durable hydraulic unit, good quality cylinder as well as hose ensure the high reliability of hydraulic system.
- AMP connector and durable electric wires greatly reduce malfunctions of components.
- H shape channel mast improves the strength of the whole truck.
- Staddle design ensures the stability of high lifting.



### Safety

- Safe hydraulic system design prevents mast from falling down abruptly when hydraulic pipeline cuts off.
- Emergency reverse belly button protects the operator from getting hurt.
- Emergency disconnecter will cut off power source to avoid accident when truck goes out of control.
- Multiple lifting limit protection ensures safety.
- Automatic switch to lower speed when the fork reaches its setting height.
- Anti-rolling back brake keeps the truck from skidding down when truck is out of control or travelling on ramp.
- Long operational tiller ensures safety distance for operators.

### Operation

- With the new design of ergonomical tiller head, all buttons can be reached conveniently & comfortably.
- Long tiller reduces the steering force greatly.
- Adjustable forks, suitable for complicated pallets or cargos.
- Creep speed function: when tiller is in near vertical position, the driving speed will decrease automatically, allowing delicate operation in confined space.
- Side-open battery design for easy battery replacement and various applications.

### Maintenance

- AC traction motor, maintenance free.
- Hour meter and battery indicator remind the operator of battery charging.
- Easily remove the back cover by only loosening four bolts; Access to all key components for inspection, maintenance and replacement.
- Vertical motor makes the inspection & service much more convenient.
- Control system allows easy trouble-shooting.
- Mast and chassis are assembled together, easy for maintenance.
- Low voltage cut off setting protects batteries.

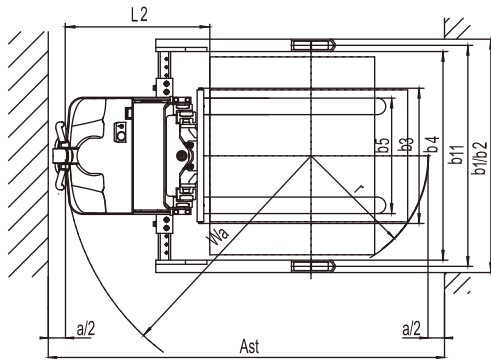
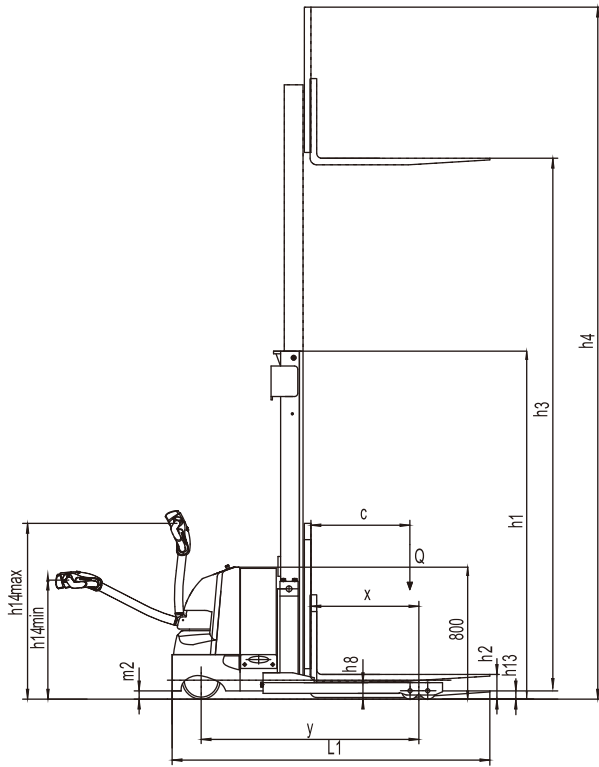
# Electric Stacker 1.2t

## ES12-25WA

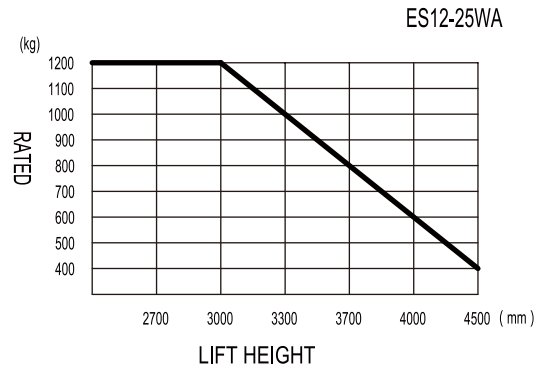
Distinguishing mark			
1.1	Manufacturer		EP
1.2	Model designation		ES12-25WA
1.3	Drive unit		Electric
1.4	Type of operation		pedestrian
1.5	Rated capacity	Q	kg 1200
1.6	Load center distance	c	mm 600
1.8	Load distance, centre of drive axle to fork	x	mm 618
1.9	Wheelbase	y	mm 1320
Weight			
2.1	Service weight (include battery)		kg 1150
2.2	Axle loading, laden driving side/loading side		kg 685/1525
2.3	Axle loading, unladen driving side/loading side		kg 665/485
Types,Chassis			
3.1	Tyre type Driving wheels/Loading wheels		PU/PU
3.2	Tyre size, driving wheels (diameter×width)	mm	Φ230×75
3.3	Tyre size, loading wheels (diameter×width)	mm	Φ102×50
3.5	Wheels, number driving, caster/loading (x=drive wheels)	mm	1x+0/4
3.7	Track width, rear, loading side	b <sub>11</sub>	mm 1045/1145/1245/1345
Dimensions			
4.2	Height, mast lowered	h <sub>1</sub>	mm 2110
4.3	Free lift	h <sub>2</sub>	mm 150
4.4	Lift height	h <sub>3</sub>	mm 3270
4.5	Height, mast extended	h <sub>4</sub>	mm 4185
4.9	Height drawbar in driving position min./max.	h <sub>14</sub>	mm 715/1200
4.10	Height of wheel arms	h <sub>8</sub>	mm 100
4.15	Lowered height	h <sub>13</sub>	mm 60
4.19	Overall length	l <sub>1</sub>	mm 1947
4.20	Length to face of forks	l <sub>2</sub>	mm 877
4.21	Overall width	b <sub>1</sub> / b <sub>2</sub>	mm 1120/1420
4.22	Fork dimensions	s/ e/ l	mm 40/100/1070
4.24	Fork carriage width	b <sub>3</sub>	mm 800
4.25	Distance between fork-arms	b <sub>5</sub>	mm 200-760
4.26	Distance between wheel arms	m <sub>1</sub>	mm 970-1270(adjustable)
4.32	Ground clearance, center of wheelbase	m <sub>2</sub>	mm 60
4.34.1	Aisle width for pallets 1000 × 1200 crossways	Ast	mm 2405
4.34.2	Aisle width for pallets 800 × 1200 lengthways	Ast	mm 2400
4.35	Turning radius	Wa	mm 1490
Performance data			
5.1	Travel speed, laden/ unladen	km/ h	5.0/5.5
5.2	Lifting speed, laden/ unladen	m/ s	0.127/ 0.23
5.3	Lowering speed, laden/ unladen	m/ s	0.26/0.20
5.8	Max. gradeability, laden/unladen	%	8/ 16
5.10	Service brake type		Electromagnetic
Electric-engine			
6.1	Drive motor rating S2 60 min	kW	1.1
6.2	Lift motor rating at S3 15%	kW	2.2
6.3	The maximum allowed size battery	mm	650/225/open
6.4	Battery voltage/nominal capacity K5	V/ Ah	24/210
6.5	Battery weight	kg	160
Addition data			
8.1	Type of drive unit		AC
10.5	Steering type		Mechanical
10.7	Sound pressure level at the driver's ear		74

1.The parameters in the table are of the standard model. For more information, please contact us.

2.The parameters are subject to change without notice.



### RATED CAPACITIES GRAPH



### Mast Option

mast types	Lift h3+h13 (mm)	Lowered mast height h1 (mm)	Free lift h2 (mm)	Extended mast height h4 (mm)
Duplex ZT	2470	1710	100	3385
	2670	1810	100	3585
	2970	1960	100	3885
	3270	2110	100	4185
	3570	2260	100	4485
	3870	2410	100	4785
Triplex DZ	4000	1822	904	4915
	4500	2022	1104	5415

### Option

Option	ES12-25WA
Standard Fork length	•850/1000/1300/1450
mast screen	•organic glass
Driving wheel	•Rubber wheel
High capacity battery	•224AH maintenance free battery ; 4-6V+20A buit-in charger
lateral battery change	•
cold storage	•
battery indicator without hour meter	•
proportion lifting	•
Vertical handler working	•
side shift	•
auto-filling water system	•