



ES10-10ES/ES10-22DM
ES10-10MM/ES10-22MM
ES12-12ES/ES12-25DM
ES12-12MM/ES12-25MM
Electric Stacker 1.0/1.2t

- Electric Stacker With Smallest Working Space Needed
- Innovative Design of Low Energy Consumption and High Reliability
- Long & Aside Tiller Design Makes Operations Safe and Convenient


Let's grow together

FEATURE

Performance

- Robust Structure;
- Highly specialized drive and hydraulic system ensure excellent driving performance and high reliability.
- Low-noise and durable hydraulic unit, high quality cylinder as well as hose ensure high reliability of hydraulic system.
- AMP connector and durable electric wires greatly reduce malfunctions of components.
- Straddle Chassis option offers stability of high stack operation.



Safety

- Safety hydraulic design prevents mast from falling down abruptly when oil pipes cut off.
- Belly button prevents truck from hitting operator.
- By simply pressing emergency disconnect, power supply will be immediately interrupted.
- Multi lifting limited switch ensures travel safety.
- Truck automatically switches to low speed mode, when lifting height is higher than setting height.
- Anti-rolling back braking device ensures trucks don't roll back on ramps.

Operation

- Ergonomic tiller head for effortless and comfortable operations.
- Tiller with long arm for smooth steering.
- Compact chassis design offers smallest turning radius needed.
- Side operating ensures excellent visibility.
- On-board Charger.

Maintenance

- Maintenance-free Battery.
- Battery display indicator with hour meter, reminds operator of charging on time (optional).
- Easy Maintenance — detachable rear panel.
- Self-Diagnostics signal on the digital display allows easy trouble-shooting.
- Easy Access of Hand Set.
- Low-voltage Cut-off Protection.

Electric Stacker 1.0/1.2t

ES10-10ES/ES10-22DM/ES10-10MM/ES10-22MM
ES12-12ES/ES12-25DM/ES12-12MM/ES12-25MM

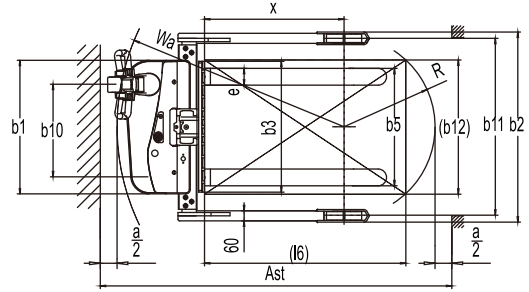
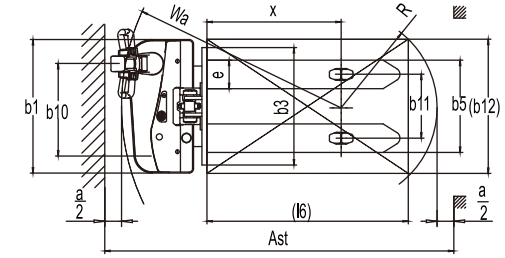
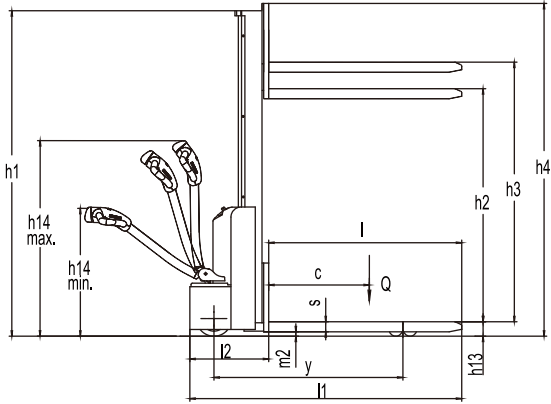
Distinguishing mark						
1.1	Manufacturer			EP	EP	EP
1.2	Model designation			ES10-10MM	ES10-22MM	ES10-10ES
1.3	Drive unit			Electric	Electric	Electric
1.4	Type of operation			pedestrian	pedestrian	pedestrian
1.5	Rated capacity	Q	kg	1000	1000	1000
1.6	Load center distance	c	mm	600	600	600
1.8	Load distance, centre of drive axle to fork	x	mm	805	850	795
1.9	Wheelbase	y	mm	1126	1210	1240
Weight						
2.1	Service weight (include battery)		kg	462	543	540
2.2	Axle loading, laden driving side/loading side		kg	641/821	683/860	640/852
2.3	Axle loading, unladen driving side/loading side		kg	343/119	420/123	419/121
Types,Chassis						
3.1	Tyre type Driving wheels/Loading wheels			PU/ PU	PU/ PU	PU/PU
3.2	Tyre size, driving wheels (diameter×width)		mm	Φ210×70	Φ210×70	Ø210×70
3.3	Tyre size, loading wheels (diameter×width)		mm	Φ80×60	Φ100×50	Ø80×60
3.4	Tyre size, caster wheels (diameter×width)		mm	Φ130×55	Φ100×50	Ø130×55
3.5	Wheels, number driving, caster/loading (x=drive wheels)		mm	1x+ 1/ 4	1x+ 1/ 4	1x +1/4
3.6	Track width, front,driving side	b ₁₀	mm	533	533	533
3.7	Track width,rear,loading side	b ₁₁	mm	380	1060/1160/ 1260 /1360	400
Dimensions						
4.1	Tilt of mast/fork carriage forward/backward	α/ β	°	/	/	/
4.2	Height, mast lowered	h ₁	mm	1940	1940	2022
4.3	Free lift	h ₂	mm	1505	1407	/
4.4	Lift height	h ₃	mm	1520	1520	2930
4.5	Height, mast extended	h ₄	mm	1955	2053	3487
4.6	Initial lift	h ₅	mm	/	/	/
4.9	Height drawbar in driving position min./max.	h ₁₄	mm	860/ 1200	860/ 1200	860/ 1200
4.10	Height of wheel arms	h ₈	mm	/	100	/
4.15	Lowered height	h ₁₃	mm	88	60	88
4.19	Overall length	l ₁	mm	1615	1570	1740
4.20	Length to face of forks	l ₂	mm	465	500	590
4.21	Overall width	b ₁	mm	800	1135/1235/ 1335 /1435	800
4.22	Fork dimensions	s/ e/ l	mm	60/ 170/ 1150	35/ 100/ 1070	55/160/1150
4.24	Fork carriage width	b ₃	mm	680	780	600
4.25	Distance between fork-arms	b ₅	mm	550	200~765	560
4.26	Distance between wheel arms	b ₄	mm	/	100	/
4.31	Ground clearance, laden, below mast	m ₁	mm	/	/	/
4.32	Ground clearance, center of wheelbase	m ₂	mm	30	40	30
4.34.1	Aisle width for pallets 1000 × 1200 crossways	Ast	mm	2137	2175	2225
4.34.2	Aisle width for pallets 800 × 1200 lengthways	Ast	mm	2062	2100	2150
4.35	Turning radius	Wa	mm	1295	1329	1408
Performance data						
5.1	Travel speed, laden/ unladen		km/ h	3.5/4	3.5/4	3.5/4
5.2	Lifting speed, laden/ unladen		m/ s	0.12/ 0.22	0.12/ 0.22	0.12/0.22
5.3	Lowering speed, laden/ unladen		m/ s	0.12/ 0.11	0.12/ 0.11	0.12/0.11
5.8	Max. gradeability, laden/unladen		%	3/ 10	3/ 10	3/10
5.10	Service brake type			Electromagnetic	Electromagnetic	Electromagnetic
Electric-engine						
6.1	Drive motor rating S2 60 min		kW	0.65	0.65	0.65
6.2	Lift motor rating at S3 15%		kW	2.2	2.2	2.2
6.3	The maximum allowed size battery		mm	270x180x230	270x180x230	325x180x230
6.4	Battery voltage/nominal capacity K20		V/ Ah	2x12/85	2x12/85	2x12/105
6.5	Battery weight		kg	2x25	2x25	2x30
Addition data						
8.1	Type of drive unit			DC	DC	DC
10.5	Steering type			Mechanical	Mechanical	Mechanical
10.7	Sound pressure level at the driver's ear			74	74	74

1.The parameters in the table are of the standard model. For more information, please contact us.

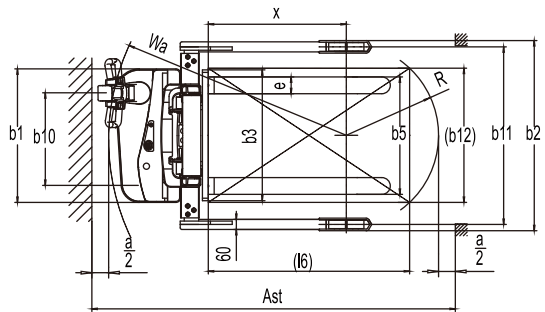
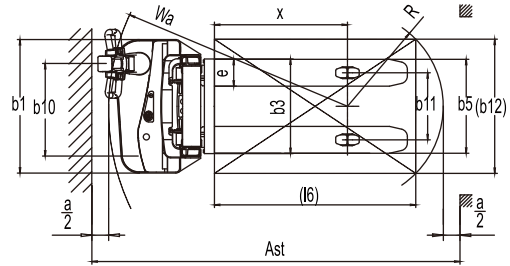
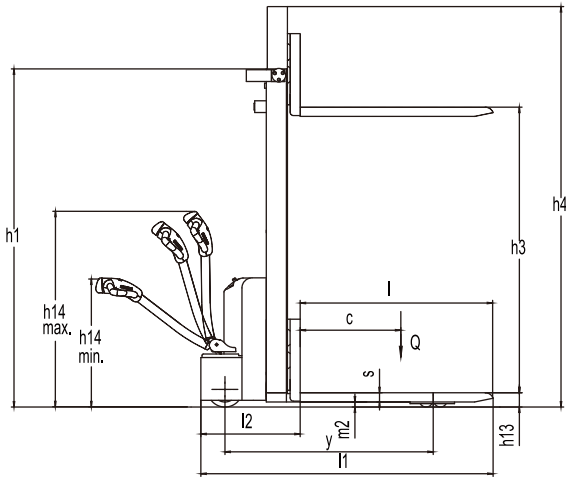
2.The parameters are subject to change without notice.

EP	EP	EP	EP	EP
ES10-22DM	ES12-12MM	ES12-25MM	ES12-12ES	ES12-25DM
Electric	Electric	Electric	Electric	Electric
pedestrian	pedestrian	pedestrian	pedestrian	pedestrian
1000	1200	1200	1200	1200
600	600	600	600	600
845	805	850	795	845
1290	1126	1210	1240	1290
625	462	543	661	676
720/905	741/921	783/960	845/1016	837/1039
497/128	343/119	420 / 123	536/125	549 / 127
PU/PU	PU/ PU	PU/ PU	PU/PU	PU/PU
Ø210×70	Φ210x70	Φ210x70	Ø210×70	Ø210×70
Ø100×50	Φ80x60	Φ100x50	Ø80×60	Ø100×50
Ø100×50	Φ130x55	Φ100x50	Ø130×55	Ø100×50
1x +1/4	1x+ 1/ 4	1x+ 1/ 4	1x +1/4	1x +1/4
533	533	533	533	533
1060/1160/ 1260 /1360	380	1060/1160/ 1260 /1360	400	1060/1160/ 1260 /1360
/	/	/	/	/
2053	1940	1940	2052	2083
/	1505	1407	/	/
2930	1520	1520	2930	2930
3895	1955	2053	3487	3895
/	/	/	/	/
860/ 1200	860/ 1200	860/ 1200	860/ 1200	860/ 1200
100	/	100	/	/
60	88	60	88	60
1650	1615	1570	1740	1650
580	465	500	590	580
1135/1235/ 1335 /1435	800	1135/1235/ 1335 /1435	800	1135/1235/ 1335 /1435
35/ 100/ 1070	60/ 170/ 1150	35/ 100/ 1070	60/ 170/ 1150	35/ 100/ 1070
800	680	780	680	800
200~765	550	200~765	570	200~765
100	/	100	/	100
/	/	/	/	/
40	30	40	30	40
2255	2137	2175	2225	2255
2180	2062	2100	2150	2180
1404	1295	1329	1408	1404
3,5/4	3,5/4	3,5/4	3,5/4	3,5/4
0.12/0.22	0.12/ 0.22	0.12/ 0.22	0.12/0.22	0.12/0.22
0.12/0.11	0.12/ 0.11	0.12/ 0.11	0.12/0.11	0.12/0.11
3/10	3/ 10	3/ 10	3/10	3/10
Electromagnetic	Electromagnetic	Electromagnetic	Electromagnetic	Electromagnetic
0.65	0.65	0.65	0.65	0.65
2.2	2.2	2.2	2.2	2.2
325x180x230	270x180x230	270x180x230	325x180x230	325x180x230
2x12/105	2x12/85	2x12/85	2x12/105	2x12/105
2x30	2x25	2x25	2x30	2x30
DC	DC	DC	DC	DC
Mechanical	Mechanical	Mechanical	Mechanical	Mechanical
74	74	74	74	74

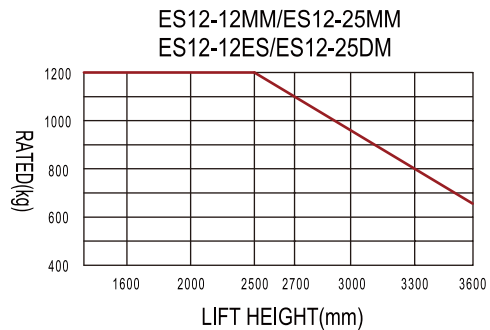
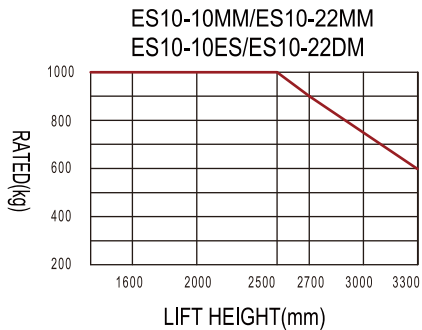
ES10-10MM/ES10-22MM/ES12-12MM/ES12-25MM



ES10-10ES/ES10-22DM/ES12-12ES/ES12-25DM



RATED CAPACITIES GRAPH



Mast Option

mast types	Lift h3+h13 (mm)	Lowered mast height h1 (mm)	Free lift h2 (mm)	Extended mast height h4 (mm)
ES10-10MM	1605	1940	1505	1955
	1955	2290	1855	2305
ES10-22MM	1560	1940	1387	2053
	1910	2290	1737	2403
ES10-10ES	2515	1772	—	2987
	2715	1872	—	3187
	3015	2022	—	3487
	3315	2172	—	3787
ES10-22DM	2470	1803	—	3395
	2670	1903	—	3595
	2970	2053	—	3895
	3270	2203	—	4195
ES12-12MM	1605	1940	1505	1955
	1955	2290	1855	2305
ES12-25MM	1560	1940	1387	2053
	1910	2290	1737	2403
ES12-12ES	1205	1575	1120	1575
	1405	1775	1320	1775
	1605	1975	1520	1975
	1705	2075	1705	2075
	2515	1802	—	2987
	2715	1902	—	3187
	3015	2052	—	3487
	3315	2202	—	3787
ES12-25DM	3615	2352	—	4087
	1160	1600	1110	1600
	1360	1800	1310	1800
	1560	2000	1510	2000
	1660	2100	1610	2100
	2470	1833	—	3395
	2670	1933	—	3595
	2970	2083	—	3895
	3270	2233	—	4195
	3570	2383	—	4495

Option

options	ES10-10MM	ES10-10ES	ES10-22MM	ES10-22DM
Fork outer width	●685mm/600mm	●685mm/600mm	—	—
Battery	—	●85AH/105AH /120AH	—	●85AH/105AH /120AH
Backrest	—	—	●	○
battery indicator with hour meter	●	●	●	●
Driving wheel	●PU wheel with Pattern	●PU wheel with Pattern	●PU wheel with Pattern	●PU wheel with Pattern
Height limitation	—	●	—	●

● Options ○ Standard

options	ES12-12MM	ES12-12ES	ES12-25MM	ES12-25DM
Fork outer width	●685mm/600mm	●685mm/600mm	—	—
Battery	—	●85AH/120AH	—	●85AH/120AH
Backrest	—	—	●	○
battery indicator with hour meter	●	●	●	●
Driving wheel	●PU wheel with Pattern	●PU wheel with Pattern	●PU wheel with Pattern	●PU wheel with Pattern
Height limitation	—	●	—	●

● Options ○ Standard